

NIAN HUNG × **Sortinger**



資源回收分選專家

RECYCLING & WASTE
SORTING EXPERTS



**PRODUCT
CATALOGUE**
磁力選別機

延續物命，與地球和平共處

地球人口持續增加，人類大量的消耗資源造成地球不堪負荷，按照人類資源消耗速度，至少需要 1.75 個地球才能滿足人類的需求。地球的資源是有限的，我們需引領資源革命，從利用及管理資源到環保回收再利用資源，不斷循環使用及永續發展。

NIAN HUNG 團隊提供優化資源的解決方案

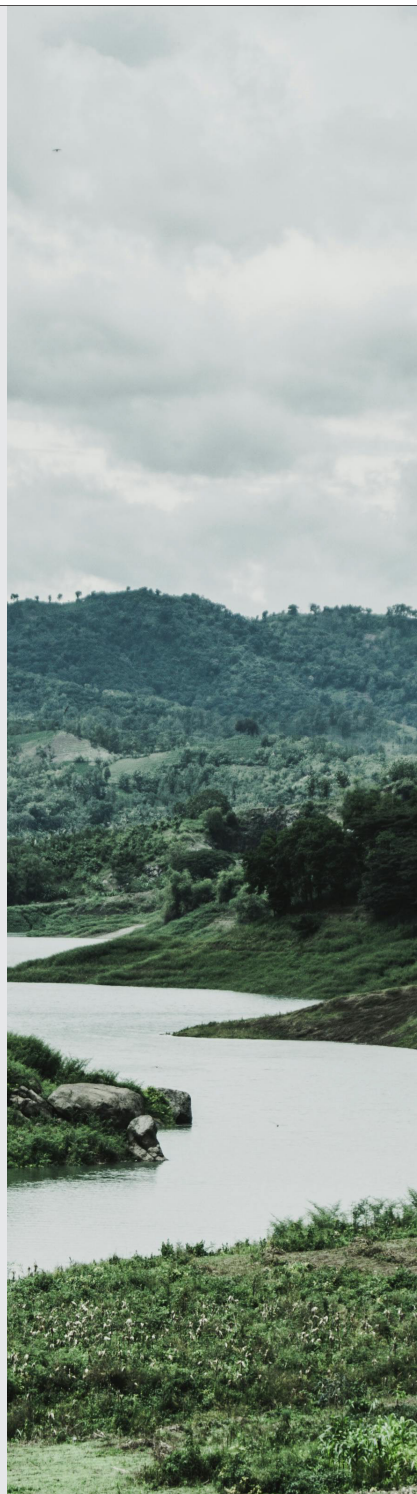
- 專業整廠規劃
- 自動化回收分選設備
- 便利、快速、及準確的分選
- 大幅降低人力成本

EXTEND LIFE CYCLE PEACEFUL COEXISTENCE WITH THE EARTH

Due to rising world population and the decrease in our resources, turn waste into resources is how the futurer evolution begins. From using resources, stewarding resources to environmental recycling resources, we keep them in a cycle and develop sustainably.

NIANHUNG provides smart solutions for optimizing our resources

- Total solutions
- Automated recycling sorting separator
- More convenient and efficient sorting
- Reduce labor cost
- Protecting equipment



為何選擇年弘？

迄今，我們的回收業務在全世界擁有超過 2,000 台設備在運行，致力於尖端的分選技術，我們相信沒有最好、只有更好。作為行業俗驅，我們擁有超出 50 年豐富的知識及實踐經驗，看見了每種產品及材料的價值，並致力於延續他們的使用壽命。

年弘可以為客戶量身定偉最個化的產線，幫助客戶擁有更高分選效率及高純度，同時提高客戶收益，並滿足各國政府日趨嚴格的環保法規。

多元的分選方案在資源回收領域應用廣泛，其中包含各式塑膠分選、生活垃圾分選、廢金屬分選、營建廢棄物分選、混合廢紙類分選、工業垃圾分選、各種有價金屬分選等。

可以從成分複雜的混合垃圾中，分選並回收各種有價值的材料，例如分選和回收 PET、PP、HDPE 等塑膠，以及有色金屬、不鏽鋼、導線、紙、木材等可回收材料。

ABOUT NIAN HUNG

Taiwan Nian Hung Magnetic Industrial Co., Ltd was founded in 1982. In 1999, the company established a subsidiary called Shanghai Nian Hung Magnetic Industry Co., Ltd. in Shanghai. Over the past thirty years, Nian Hung has worked hard to become a domestic enterprise specializing in the production of resource recycling equipment and permanent magnets. In recent years, the company has focused on sustainable development and leveraged its excellent research and development team to continuously innovate and improve magnetic-related products. By 2019, Nian Hung had obtained 16 patents. Building on its strong magnet core business, the company has gradually expanded its business scope and actively invested in "recycling and sorting equipment," such as eddy current separators, aiming to create another growth engine and achieve its mission of "energy conservation and environmental protection."

MANAGEMENT PHILOSOPHY

The chairman adheres to the original purpose of "sustaining life." Recognizing that there is only one Earth, technological progress has brought many negative impacts, such as accelerated product replacement and excessive resource exploitation. To provide a better environment for future generations, Nian Hung remains committed to its founding values of "sustainable operation" and "environmental recycling." While creating maximum customer value, the company also fulfills its responsibility to coexist peacefully with the Earth and contribute to environmental protection.

VISION AND PURPOSE

In a rapidly changing world, to ensure sustainable long-term development, we must be forward-thinking, continuously innovate, and invest in research and development. Setting long-term goals allows us to understand future societal trends and prepare accordingly. Nian Hung Enterprise envisions itself as a trusted magnetic equipment company in the Asia-Pacific region, committed to "energy conservation, environmental protection, and continuous innovation in customer value." In addition to our expertise in magnetic equipment, we collaborate with related enterprises to create maximum value for our customers. Nian Hung has established dedicated design and manufacturing teams to flexibly meet customer needs. Our team is wholeheartedly devoted to improving internal processes and product quality, promising "just-in-time" delivery and providing top-quality competitive products through post-sales maintenance. This commitment reflects our dedication to our customers.

NIAN HUNG Organisation

To date, our recycling business operates over 1000 devices worldwide, dedicated to cutting-edge sorting technology. We believe in continuous improvement rather than settling for the best. As industry pioneers, we possess over 50 years of rich knowledge and practical experience, recognizing the value of every product and material. Our commitment lies in extending their lifespan.

Nian Hung customizes optimized production lines for clients, enhancing sorting efficiency and purity. Simultaneously, we help increase customer revenue and comply with increasingly stringent environmental regulations set by various governments.

Diverse sorting solutions are widely used in the field of resource recycling. These include various types of plastic sorting, household waste sorting, metal waste sorting, construction waste sorting, mixed paper sorting, industrial waste sorting, and sorting of valuable metals.

From complex mixed garbage compositions, valuable materials can be sorted and recycled. For example, sorting and recycling PET, PP, HDPE plastics, as well as non-ferrous metals, stainless steel, wires, paper, and wood from the mixed waste.

2,000
machines
globally

50 years
experience



1984



2018



Sortinger

2020

精準的分選，讓你的選擇毫不費力

關於年弘

台灣年弘磁電工業股份有限公司創立於西元 1982 年，並於西元 1999 年上海創立分公司「上海年弘磁業有限公司」，經過三十餘年努力發展，公司成為國內專業生產資源環保回收設備及永久磁鐵之企業，近年來力拼轉型到目前的永續經營階段，憑藉優異的研發技術團隊，不斷創新設計與改良磁性相關機械產品，並致力於各項產品研發，截至 2019 年，共獲得 16 項專利成果。以強力磁鐵本業為基礎，逐步擴展事業版圖、積極投入「回收分選設備」：如渦電流分選機等，以期啟動另 3 個成 4 引擎，並朝「節能環保及綠色經濟」之使命邁進。

經營理念

董事長秉持創立初衷「延續物命」，認為地球只有一個，科技進步帶來許多負面影響，如物品汰換加速、資源過度開發等不可抹滅的傷害，因此為了給未來子孫一個美好環境，年弘始終堅持創立時的價值主張「永續經營、環保回收，在創造最高客戶價的同時，亦兼顧與地球和平共處之使命，善盡環保社會之責任。」這是我們對地球的承諾。

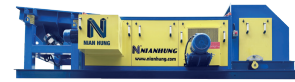
願景及宗旨

世界快速變遷，為了接下來能長遠持續發展，我們必須更具前瞻性不斷創新及研發，設立長期目標以了解未來社會需求走向，因此我們必須為未來做好準備。年弘企業以「節能環保，不斷創新客戶價值，成為亞太區值得信賴的磁性設備企業」為願景，除持續深耕磁性設備專業外，亦致力於與相關企業合作，以便為顧客創造最大價值，此外年弘針對顧客設立專屬設計製造團隊，以彈性積極的態度滿足顧客的需求，團隊全心投入與不斷改善內部流程與產品品質，以「即時即量」的交期承諾和售後維修服務提供最佳品質的競爭力產品，以便為顧客創造最大價值，這是我們對客戶的承諾。

年弘磁電工業股份有限公司
董事長 翁培發



目錄 Table of Contents



編號 No.	產品名稱 Product Name	頁次 Page
01	組合式分選機 Combination Separators	01
02	案例展示 Case Display	03
03	渦電流 / 移動式分選機 Eddy Current Separator	04
04	吊式磁選機 Overbelt Magnetic Separator	08
05	立式磁選機 Vertical Magnetic Separator	11
06	永磁平面輸送式磁選機 / 不鏽鋼分選機 Belt Conveyor Magnetic Separator	14
07-11	垃圾處理設備 Waste Recycling	16
12	CCD & NIR 顏色材質選別機 CCD & NIR Color Metal Sorting Solution	21
13	磁力板 Magnetic Plate	22
14	磁鼓 Magnetic Drum	23
15	磁滾輪 Magnetic Roller / Magnetic Pulley	24
16	磁力棒 Tube Magnet	25
17	磁力架 Grate Magnet	26
18	磁棒箱 Magnetic Box	27
19	管路式過濾器 Magnetic Strainer	28
20	永磁溼式磁選機 Wet Drum Magnetic Separator	29
21	永磁刮板式磁選機 Scraper-Type Magnetic Separator	29
22	震動篩分機 Vibrating Screening Machine	30
23	金屬檢測機 Metal Detector Machine	31
24	螺旋過篩機 Spiral Screener	32
25	非接觸式傳動軸 Non-Contact Magnetic Transmission Drives	33
26-28	磁力相關產品 Magnet Related Product	36

不鏽鋼分選機

揀選白鐵以及鐵類物質

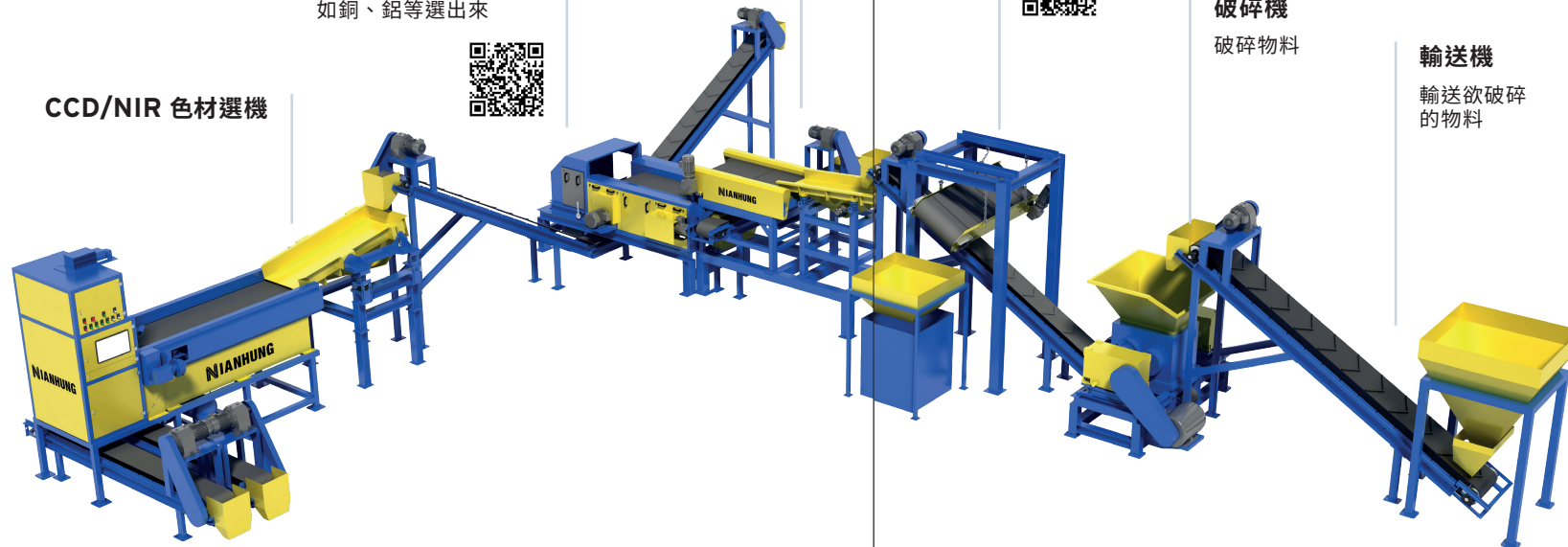


渦電流分選機

將不可磁化的非鐵金屬，
如銅、鋁等選出來



CCD/NIR 色材選機



吊式磁選機

揀選鐵類物質



破碎機

破碎物料

輸送機

輸送欲破碎
的物料

料斗

將欲破碎的物品
放至此處

年弘磁電工業股份有限公司成立於1984年，全新投入磁力分選的研發及製造，續研超過30年，領導磁力分選技術的發展及創新應用，以精準、穩定、高效的分選實力及整合方案，滿足各行各業金屬、非鐵金屬的分選需求。

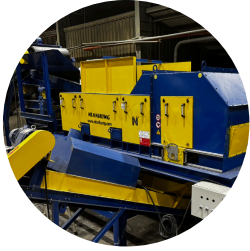
主力產品渦電流分選機及各式磁選設備，廣泛應用於回收、食品、塑料及橡膠、醫療、化工、電子建築等多元產業。

我們掌控磁力分選的核心技術，且積極開發包含風力、靜電、光學等分選技術，藉由分選技術的提升及整合，落實循環經濟前行，引領大眾以善念投入環保回收再生行列，締造萬物重生契機。

Nian Hung Magnetic Industrial Ltd Co. was established in 1984, focusing on the research and development of magnetic separation technology and manufacturing. With over 30 years of continuous research, we lead the development and innovative application of magnetic separation technology. Our precise, stable, and efficient sorting capabilities, along with integrated solutions, meet the sorting needs of various industries for both metallic and non-ferrous materials.

Our flagship products include eddy current separators and various types of magnetic separation equipment. These are widely used in diverse industries such as recycling, food processing, plastics, rubber, medical, chemical, electronic, and construction.

We master the core technology of magnetic separation and actively develop various sorting techniques, including wind power, electrostatics, and optics. By enhancing and integrating sorting technologies, we promote the advancement of the circular economy, leading the public to contribute positively to environmental recycling and regeneration, creating opportunities for all things to be reborn.



D類處理
Waste Recycling



廢五金處理
Waste Recycling



垃圾掩埋
Waste Recycling



焚化底渣處理
Waste Recycling



綜合廢棄物處理
Waste Recycling



D類處理
Waste Recycling



營建廢棄物處理
Waste Recycling



SRF再利用
Waste Recycling



垃圾場
Waste Recycling



用途 Usage

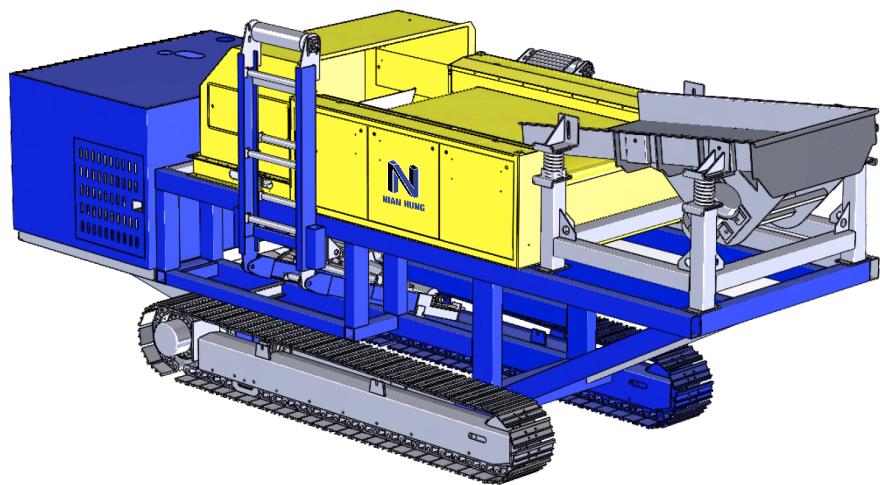
- ① 廢料或電子廢料中回收貴金屬。
 - ② 廢汽車破碎物中回收貴金屬。
 - ③ 塑膠、玻璃、碎木材、鐵鋁罐回收有價金屬。
 - ④ 生活垃圾及再生燃料中分選有色金屬。
 - ⑤ 焚化廠及鍋爐底渣、爐渣中分選有色金屬。
1. Recovery precious metal from scrap and electronic waste.
 2. Recovery precious metal from car scrap.
 3. Recovery precious metal from plastic, glass, wood, aluminum cans.
 4. Separate non-ferrous metals from city waste and regenerated fuel.
 5. Separate non-ferrous metals from boiler bottom slag and clinker for incineration plant.

特徵 Features

- ① 渦輪轉子採偏心式設計，轉子可調整角度之設計。
 - ② 入料配置震動送料機，可均勻將物料定量輸送，提高分選效率。
1. The magnetic drum is eccentric and the angle can be adjusted.
 2. Vibration feeder provides stable feed rate which increases the sorting efficiency.

規格 Specification

- ① 高速渦輪轉子旋轉次數 0-3,000RPM。
 - ② 配置獨立電控箱，可調整各項參數。
 - ③ 依處理產量需求，選擇規格及設備。
1. High speed rotation: 0-3,000RPM.
 2. Flexible adjustments by independent control panels fits specific needs for application.
 3. Customization of machine specifications according to processing output.



特徵 Features

年弘將久經考驗的磁鐵金屬分離技術與移動性和靈活性相結合。大多數破碎和預篩分的散裝材料含有黑色金屬，例如釘子和螺絲，以及有色金屬（鋁、銅、黃銅等）。移動式渦電流分選機在此過程中可以輕鬆回收這些金屬。把篩分場地、環境造成的破碎作業的障礙作為首要的解決方案，靈活地適應不同地點並配備內建動力裝置，並為您提供了簡潔，高效，低成本的項目營運設施。與固定生產線相比，移動式滾筒篩工程週期短，轉場跟進快，降低了投資者的投資風險，機會成本，也避免了專案結束後的拆建工作，更經濟環保。

NIAN HUNG combines magnetic metal separation technology with mobility and flexibility. Most crushed and pre-screened bulk materials contain ferrous metals, such as nails and screws, as well as non-ferrous metals (aluminum, copper, brass, etc.). Mobile eddy current sorters can easily recycle these metals in the process. Taking obstacles in crushing operations caused by the screening site and environment as the primary solution, it flexibly adapts to different locations and is equipped with built-in power devices, and provides you with simple, efficient and low-cost project operation facilities. Compared with fixed production lines, the mobile trommel screen has a short project cycle and fast transition follow-up, which reduces investors investment risks and opportunity costs. It also avoids demolition and construction work after the project is completed, making it more economical and environmentally friendly.

規格 Specification

常規型：適用於原料粒徑
metal particles
> 10 mm

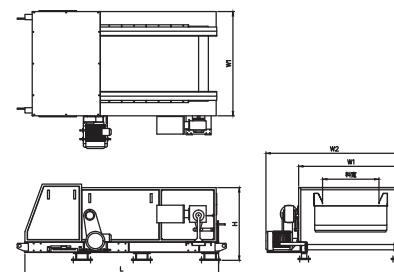
高速渦輪旋轉次數
magnet drum speed
2,000 rpm (最高 highest)

精密型：適用於原料粒徑
metal particles
> 3 mm

高速渦輪旋轉次數
magnet drum speed
3,000 rpm (最高 highest)

ECSG Series

型號 Model	本體尺寸 Body Dimensions (mm)				料寬 Belt Width (mm)	轉子 迴轉數 (RPM)	皮帶速度 Belt Speed (m/min)	出力 Power Output (kW)	
	L	W1	W2	H				皮帶 Belt	渦輪 Roller
ECSG-800	4,290	1,500	2,000	2,100 可變 Variable	800	3,000 可變 Variable	0 - 1.5M 可變 Variable	2.2 可變 Variable	5.5
ECSG-1000		1,700	2,200		1,000				5.5
ECSG-1200		1,900	2,400		1,200				5.5
ECSG-1500		2,100	2,600		1,500				7.5
ECSG-1700		2,300	2,800		1,700				7.5
ECSG-2000		2,600	3,100		2,000				7.5



產品 Product	Size Range 大小 (mm)	Max(t/hr/m)
鋁片 (特大) Aluminum Scrap (Oversize)	20-200	20
鋁片 (篩分) Aluminum Scrap (Screened)	0-20	5
生活垃圾 (未分類) Household Refuse (Unsorted)	0-300	20
生活垃圾 (預分類) Household Refuse (Pre-sorted)	50-200	10
玻璃 - 碎玻璃 (碎玻璃瓶) Glass - Cullet (Bottles Crushed)	0-50	20
玻璃 - 燈泡 (壓碎) Glass - Light Bulbs (Crushed)	0-30	7
爐渣 Slag	10-50	10
焚燒灰 Incineration Ash	0-40	20
廢塑料 (小片狀) Plastic Waste (tiny scrap)	3-10	2
廢料 (超大碎片) Scrap (Oversized Frag)	100-150	20
廢料 (篩分) Scrap (Screened)	10-40	15
UPVC窗框 (篩分) UPVC Window Frames (Screened)	10-40	20
WEEE (電子廢料) WEEE (Electronic Scrap)	0-30	20
白色家電 White Goods	40-150	20
Woodchip 木片	0-60	13



04

吊式磁選機 OVERHEAD MAGNETIC SEPARATOR



用途 Usage

將吊式磁選機懸掛股證在傳送帶上方，從輸送的原物料中，將鐵類等密磁性物質吸附並排出。

Suspension Permanent Magnetic Separator is designed to install above and 90 degrees to the conveyor belt to remove scrap metals from the materials on the moving conveyor.

特徵 Features

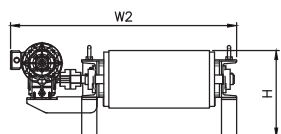
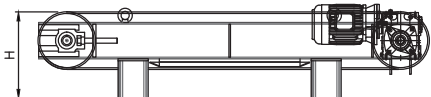
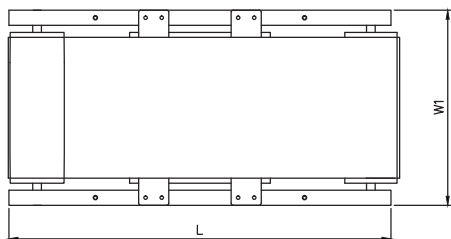
- ① 永磁式設備使用的是永久磁鐵，只需提供皮帶運轉電源。
 - ② 永磁吊式磁選機可適用於室外作業。
 - ③ 使用直結設置馬達，機身尺寸精簡，安裝容易。
1. Only the conveyor belt needs electricity to run. Other operating energy is not required.
 2. Tough durable machine design is suitable for outdoor use.
 3. Using direct drive motor. Compact Size is easy to install.

規格 Specification

- ① 標準傳送帶材質有耐磨橡膠或皮帶表面鎖固不鏽鋼護板。
 - ② 備有懸掛用的螺絲吊掛點。
 - ③ 最高磁力可達 5,000 高斯，吸附距離達 500mm。
 - ④ 可依客戶需求製作標準或客製化機器。
1. Standard conveyor belt is made from abrasion resistance rubber.
 2. Comes with suspended holes for hanging installation.
 3. The highest magnetic force can reach 5,000 Gauss and the attraction distance is 500 mm.
 4. Customization of machine to meet the needs of customer.

SPSG Series

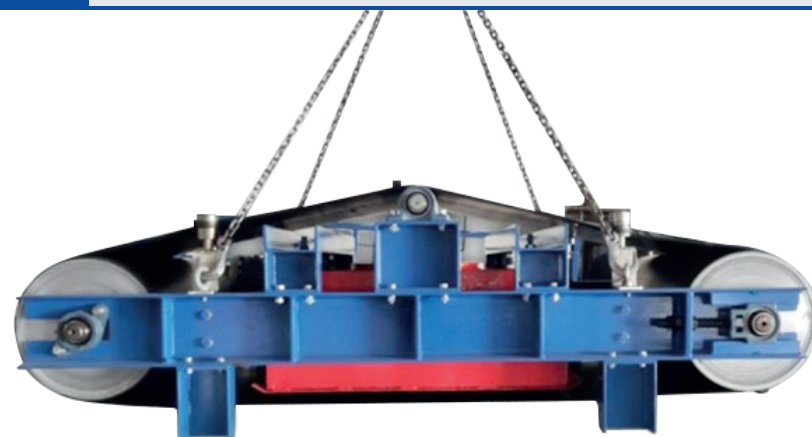
型號 Model	磁力 Magnetic Force (GAUSS)	吸距 Attraction Distance (mm)	料寬 Belt Width (mm)	本體尺寸 Body Dimensions (mm)				皮帶速度 Belt Speed (m/min)	出力 Power Output (kW)	吊掛式 Hanging Way
				L	W1	W2	H			
SPSG-800	3,000	300	800	2,100 可變 Variable	970	1230	400 可變 Variable	(in line) 1.5 ————— 2.2 (cross)	3,000 可變 Variable	一字 ————— 十字
SPSG-1000			1,000							
SPSG-1200	1,200									
SPSG-1500	1,500									
SPSG-1700	1,700									
SPSG-2000	2,000									



04-01

吊式電磁鐵磁選機

OVERBELT ELECTROMAGNETIC SEPARATOR MACHINE



用途 Usage

將吊式電磁鐵磁選機懸掛在輸送機上方，從搬運的原物料中，將鐵片等磁性物質吸附並排出。

Overbelt Electromagnetic Separator Machine is designed to install above and 90 degrees to the conveyor belt to remove scrap metals from the materials on the moving conveyor.

特徵 Features

- ① 本體自冷設計，散熱快，可長時間穩定運作。
- ② 永磁吊式磁選機可適用於室外作業。
- ③ 使用橫向設置馬達，結構精小。

1. Self-cooling design, fast heat dissipation, stable operation for a long time.
2. Tough durable design is suitable for outdoor use.
3. Compact size with reliable performance.

規格 Specification

- ① 標準傳送帶由耐磨橡膠製作而成。
- ② 吸距可高達30公分以上。
- ③ 可依客戶需求客製化機器。

1. Standard model equipped with wear protection wiper.
2. Attraction distance is up to 30cm or more.
3. Could be customized to meet the needs of customer.

立式磁選機 VERTICAL MAGNETICSEPARATOR



用途 Usage

適用於分選乾式原料如食品、飼料、ABS、PET、PP 中的鐵性物質。

Vertical Magnetic Separator is used for separating iron filings from various dry materials such as food, feed, ABS, PET, PP.

特徵 Features

- ① 將原物料投入或送入磁選機，利用內部永久磁鐵之旋鼓轉動並分選出鐵類等磁性物質。
- ② 永久磁鐵設計，只需提供磁鼓之外殼運轉電源。
- ③ 本設備可適用於室外作業。

1. Feed the raw materials into the magnetic separator, which uses the internal permanent magnet drum to rotate and sort out iron and other magnetic substances.
2. Only motor power is required.
3. Tough durable design is suitable for outdoor use.

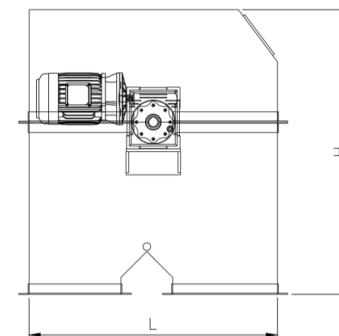
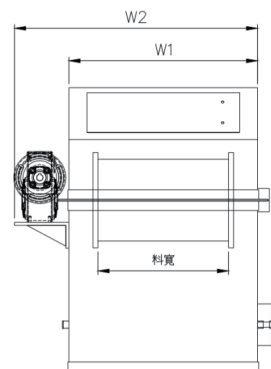
規格 Specification

- ① 最高磁力可達 8,000 高斯。
- ② 尺寸機型或特殊規格可依客戶需求客製化機器。

1. Highest magnetic force can reach 8,000 Gauss.
2. Customization of machine such as dimensions, models or specifications to meet the needs of customer.

VNH Series

型號 Model	磁力 Magnetic Force (GAUSS)	本體尺寸 Body Dimensions (mm)				料寬 Belt Width (mm)	外徑 Φ Outer Diameter Φ (mm)	每分鐘 迴轉數 (RPM)	出力 Power Output (kW)	概算重量 Weight (KG)
		L	W1	W2	H					
VNH-600	1,000 ~ 8,000	650	730	755	1,100	600	400 可變 Variable	20 ~ 40	0.75	350
VNH-800		750	930	955		400				
VNH-1000		850	1,130	1,155		1,000				1.5



05

立式磁選及非鐵金屬排除一體機

MAGNETIC SEPARATION AND NON-FERROUS METAL REMOVAL MACHINE



用途 Usage

本機器適用於分選乾式物料，例如食品、飼料、ABS、PET、PP 裡面的鐵性物質以及非鐵金屬物質。高度確保了物料的純淨度。

This machine is used for separating ferrous and non-ferrous impurities from various dry materials, such as food, feed, ABS, PET, PP. Through this machine, high degree of purity is ensured.

特徵 Features

- ① 業界首創一體機設計，篩選鐵類金屬同時也排除混雜在物料裡面的非鐵金屬。
- ② 簡約穩固的結構設計，操作簡易，穩定長時間運作。

1. The industry's first all-in-one design that separates ferrous metals while excluding non-ferrous metals mixed in materials.
2. Simple and robust structure design, easy operation and stable long-term operation.

規格 Specification

- ① 可選配專用控制箱。
- ② 可依客戶需求客製化機器。

1. Controller is optional.
2. Could be customized to meet the needs of customer.

06

永磁平面輸送式磁選機

BELT CONVEYOR MAGNETIC SEPARATOR



用途 Usage

廣泛用於砂石、煤、爐渣、食品、肥料、飼料、橡塑膠、資源回收等需要去除或分選鐵類的產業。

Widely used in sandstone, coal, slag, fertilizer, feed, rubber and plastics, resource recovery and other industries.

特徵 Features

- ① 兩種磁力規格之機型，依分選原物料的類別選擇：
 - TNH-600-3K 型: 磁力 3,000 高斯適用於分選原料中的黑鐵。
 - TNH-900-16K 型: 磁力 16,000 高斯適用於分選原料中的不銹鋼及弱磁性物質。
- ② 機台可設計附帶移動輪及煞車輪，方便設備自由移動。
- ③ 永磁式設備使用的是永久磁鐵，只需提供皮帶運轉電源。
- ④ 可設計進料搭配振動送料機將原料定量輸送，提高分選效率。

1. Two models available :
 - Model TNH-600-3K: magnetic force 3,000 Gauss for removing lack iron.
 - Model TNH-900-16K: magnetic force 16,000 Gauss for removing stainless steel.
2. Simple operation and casters for easy relocation.
3. Only the conveyor belt needs electricity to run. Other operating energy is not required.
4. Vibration feeder provides stable feed rate which can increase the sorting efficiency.

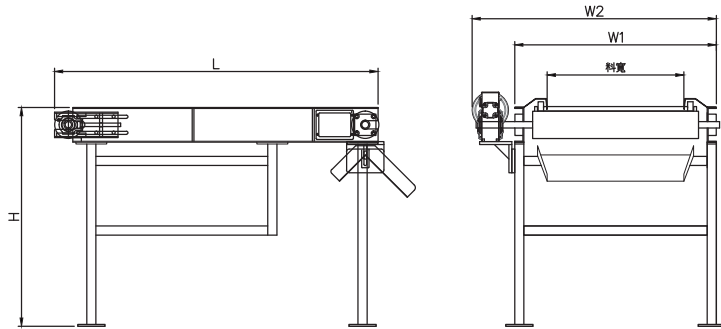
規格 Specification

- ① 標準傳送帶材質有 PU、PVC 或耐磨橡膠皮帶。
- ② 最高磁力可達 17,000 高斯。
- ③ 可依客戶需求製作標準或客製化機器。

1. Standard model equipped with wear protection wipe.
2. Highest magnetic force can reach 17,000 Gauss.
3. Customization of machine to meet the needs of customer.

TNH Series

型號 Model	磁力 Magnetic Force (GAUSS)	本體尺寸 Body Dimensions (mm)				料寬 Belt Width (mm)	皮帶速度 Belt Speed (m/min)	出力 Power Output (kW)	概算重量 Weight (kg)
		L	W1	W2	H				
TNH-500	3,000 ~ 17,000	2,000	700	730	700	500	20~40 可變 Variable	0.75	560
TNH-700			900	930	800	700			580
TNH-900			1,100	1,130	1,000	900			680



07

風選機 AIR SEPARATOR



用途 Usage

在氣流作用下使物質按密度和粒度大小進行分選，氣流能將較輕的物料（如紙片、塑膠袋、薄膜等）向上帶走或水平方向帶向較遠的地方，而重物料則由於上升氣流不能支撐它們而降落，或由於慣性在水平方向拋到較近的距離。

The waste is sorted by airflow according to density and particle size. The airflow can carry lighter materials (such as paper, plastic bags, films, etc.) upwards or to a farther place in the horizontal direction, while heavy materials fall down because the updraft cannot support them, or throw to a closer distance due to inertia in the horizontal direction.

特徵 Features

風選技術主要原理是利用空氣動力學原理，在可控正壓氣流和負壓氣流的共同作用下，將物料中的輕、小物質與重物質分離出來，向上帶走或在水平方向帶入沉降室，將輕物質與空氣分離出來。輕物質透過輕物質出料輸送機輸出。重物質由於向上氣流無法支撐其重力沉降於重物質出料輸送機上，並被輸出。

The air drum separation technology of waste principle is separating the light and small substances from the heavy substances in the material and carrying them away upwards or into the settling chamber in the horizontal direction to separate the light substances in the air by the principle of aerodynamics and under the action of the controllable positive pressure airflow. The light material is carried out by the light material conveyor. The heavy materials will be carried out because they can't support their gravity to settle on the heavy material discharge conveyor due to the upward air flow.



用途 Usage

用於粗碎破碎機前大塊物料的均勻給料，同時由於篩面的作用，又能除掉泥土等細碎物料，達到預篩分功能，能夠提高粗碎能力。特別適用於水力發電產業，建築石料，金屬礦石等粗碎前的給料用。

The screen surface of the finger screening machine is composed of multiple bars, the bar gap is adjustable, the material is fed from the upper end of the bar, and the material larger than the bar gap automatically slides down the bar and enters the next sorting process, which is smaller than the screen hole. The size of the material screened through the bar gap.

特徵 Features

- ① 結構簡單、緊湊，外型美觀，整機剛度與各部強度大。
- ② 體積小、重量輕，單位設備體積及重量處理能力大，便於系統製程佈置。
- ③ 能耗少，篩分效率高。
- ④ 安裝與調試方便，運作穩定可靠、操作維修簡單。
- ⑤ 篩面結構與類型模組化設計，更換方便，可滿足不同作業需求。
- ⑥ 處理量大，不易堵孔，適合高水分、大黏度物料的分離、分級、有效篩分，應用範圍廣。

1. The structure is simple and compact, the appearance is beautiful, and the rigidity of the whole machine and the strength of each part are high.
2. Relatively small size, light weight, large processing capacity per unit of equipment volume and weight, which is convenient for system process layout Determination of residual magnetic gas after processing stress of stainless steel material.
3. Relatively low energy consumption and high screening efficiency
4. Easy installation and debugging, stable and reliable operation, easy operation and maintenance home appliances, motor magnetic field strength measurement.
5. Modular design of screen surface structure and type, easy to replace, and can meet the needs of different operations.
6. Large processing capacity, not easy to block holes, suitable for separation, classification and effective screening of high-moisture and high-viscosity materials, with a wide range of applications.



用途 Usage

利用固接在牽引鏈上的一系列鏈條提供牽引力，用金屬板作承載體引領物料隨著水平或偏斜方向輸送。為滿足垃圾篩分生產現場的各種需求，我們可以對自動化線路中的輸送機器進行具體設計。

The traction force is provided by a series of chains fixed on the traction chain, and the metal plate is used as the carrier to guide the material to be conveyed in the horizontal or inclined direction. In order to meet the various needs of the waste screening production site, we can specifically design apron conveyor in the automation line.

特徵 Features

- ① 輸送機採用高強度鏈條牽引，承載力大、受料能力強，承載能力不小於 20T。
- ② 機架採用框架結構，兩側配有導料板。導料板、導料槽等易腐蝕、易磨損件採用高防腐、耐磨材料製造，並可方便更換。
- ③ 料槽部位密閉，可有效防止物料的散漏現象。
- ④ 行架結構的機架本體，自重輕，剛性好，佔地小，便於調節及裝卸。
- ⑤ 鍊板選用耐腐蝕、耐磨損材料，瓦狀一次沖壓成形。

1. The conveyor adopts high-strength chain traction, with large bearing capacity and strong material receiving capacity, and the bearing capacity is not less than 20T.
2. The frame adopts a frame structure with guide plates on both sides. Corrosion-prone and wear-resistant parts such as guide plates and guide troughs are made of highly anti-corrosion and wear-resistant materials, and can be easily replaced.
3. Airtightness of the overlapping parts of the trough is ensured, thus the leakage of materials is effectively prevented.
4. The frame of the rack structure has the following advantages: light weight, good rigidity, small footprint, easy adjustment, loading and unloading measurement.
5. The chain plate is made of corrosion-resistant and wear-resistant materials, and the tile is formed by one-time stamping.



用途 Usage

弛張篩由圓振篩分技術與齒狀篩網技術結合而來，由激振箱、篩箱、中間軸、驅動裝置和彈簧等零件組成，具有彈性大、振動平穩、結構緊湊等特點。聚氨酯彈性篩網透過共振原理做連續不斷地弛張運動，使物料拋射的加速度可以達到重力加速度的30-50倍，解決了篩分效率低、篩板堵孔、噪音大等問題。

The flip flow screen is a combination of circular vibrating screen screening technology and toothed screen technology, consisting of vibration box, screen box, intermediate shaft, driving device and spring, etc. It has the characteristics of high elasticity, smooth vibration and compact structure. The polyurethane elastic screen makes continuous relaxation movement through the resonance principle, so that the acceleration of material throwing can reach 30-50 times of the acceleration of gravity, solving the problems of low screening efficiency.

特徵 Features

- ① 轉動部件少，運作可靠性高，維護工作量大，利用率高。
 - ② 篩板的固定不需要任何螺栓，使用壽命長，拆裝方便，更換速度快速。
 - ③ 固定在中空的橡膠彈簧上，減振效果好，噪音小，橡膠彈簧壽命長。
 - ④ 篩框振幅可調，篩孔不易堵塞，可對難篩物料進行篩分，篩分效率高。
 - ⑤ 線性運動的箱型激振器可靠性高，維護簡單。
 - ⑥ 入料端物料速度快、料層薄，大量物料透篩，處理量高；排料端篩面傾角低，物料速度慢。
 - ⑦ 可將剩餘的篩下物徹底透篩，達到較高的篩分效率。
1. Few rotating parts, high reliability, small maintenance workload and high utilization rate.
 2. The fixation of the screen plate does not require any bolts, has long service life, easy disassembly and assembly, and fast replacement.
 3. Fixed on the hollow rubber spring, it has good vibration damping effect, low noise and long life of the rubber spring.
 4. The amplitude of the screen frame is adjustable, and the screen holes are not easily blocked. It can screen difficult-to-screen materials with high screening efficiency.
 5. The linear motion box exciter has high reliability and simple maintenance.
 6. The material speed at the feeding end is fast, the material layer is thin, a large amount of materials can pass through the screen, and the processing capacity is high; the inclination angle of the screen surface at the discharge end is low, the material speed is slow.
 7. The remaining undersized materials can be thoroughly screened to achieve higher screening efficiency.



用途 Usage

滾筒旋轉的離心力及跳汰作用來篩分物料。適用建築裝修垃圾、陳腐掩埋生活垃圾等。透過不同網目的篩網逐一篩出。不同規格的垃圾原料篩選後經由漏斗落入皮帶機送至成品料場。

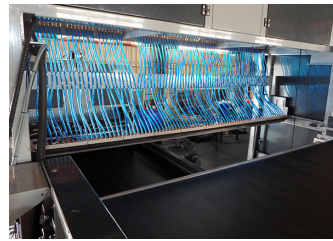
The trommel screen uses the centrifugal force and jigging action of the drum rotation to screen materials. It is suitable for construction and decoration waste, landfill waste and domestic waste, etc. It is screened out one by one through the sieves of different meshes. After being screened out, the waste materials of different specifications are dropped into the belt conveyor through the funnel and sent to the finished product yard.

特徵 Features

- ① 產品可篩選最大200mm，中間20-40mm，最細可達5mm以下，附自清理裝置。
 - ② 傳動方式分為：大小齒輪傳動、鏈輪鏈條傳動、托輥摩擦傳動三種，有各種篩網如：錳絲編織網、鋼板沖孔網、鋼筋焊接網、不銹鋼篩網等可供客戶選擇。
 - ③ 滾筒篩主要包括架體、篩筒、破袋刀片、機架、驅動裝置、給卸料裝置、配套裝置，配套裝置包括：給料斗、給料罩、緊急停車裝置、限位開關等。
 - ④ 滾筒篩篩筒、（上、下）罩壳、底盤、支架材料採用Q345B，此型材規格和結構設計具備足夠的強度、剛度和良好的穩定性和抗衝擊、振動性能。
1. The product can be screened up to 200mm, the middle is 20-40mm, and the smallest can be less than 5mm. It is equipped with a self-cleaning device.
 2. The transmission methods are divided into three types: large and small gear transmission, sprocket chain transmission, and roller friction transmission. There are various screens such as: manganese wire braided mesh, steel plate punched mesh, steel welded mesh, stainless steel screen, etc. for customers to choose from.
 3. The drum screen mainly includes the frame body, screen cylinder, bag breaking blade, frame, driving device, feeding and unloading device, and supporting devices. The supporting devices include: feeding hopper, feeding cover, emergency stop device, limit switch, etc.
 4. The trommel screen drum, (upper and lower) covers, chassis, and bracket materials are made of Q345B. This profile specification and structural design have sufficient strength, stiffness, good stability, and impact and vibration resistance.

NIR 材質選別機

NEAR-INFRARED SORTING



用途 Usage

金屬分選：

- ① 從粉碎機輕質部分 (SLF) 中分離出可近紅外線辨識的塑膠、紡織品和木材。
將印刷電路板組件 (PCBA) 進行分類，來自電子廢料 (WEEE)。

垃圾分選：

- ② 按類型識別和分類塑膠和材料，例如 PE、PP、PS、PET、PVC、飲料紙盒、紙張、紙板、紙板和紡織品 + 識別和區分特殊材料廢棄物。
檢測並分類應用中的所有常見塑膠和材料，例如輕型包裝和塑膠分類、生活垃圾處理、商業和工業廢棄物處理、替代燃料生產、鋁箔加工。

1. Metal sorting:

- Separation of near-infrared identifiable plastics, textiles and wood from the shredder light fraction (SLF)
- Sorting Printed Circuit Board Assemblies (PCBA) from Electronic Waste (WEEE).

2. Garbage sorting:

- Identify and classify plastics and materials by type, e.g. PE, PP, PS, PET, PVC, beverage cartons, paper, board, board and textiles + Identify and differentiate special materials waste.
- Detect and classify all common plastics and materials in applications such as lightweight packaging and plastic sorting, household waste processing, commercial and industrial waste processing, alternative fuel production, aluminum foil processing.

特徵 Features

- ① 光學和空間解析度為 3 至 8 毫米。
- ② 近紅外光 (NIR) 波長範圍 760 至 2,500 μ m，判別材質的化學特性。
- ③ 高速氣閥閥座可配合不同料源需求，更換不同吹嘴孔徑。閥座可抽換式設計，可配合不同大小料源與帶面寬度（寬度由 500mm~2,000mm）。

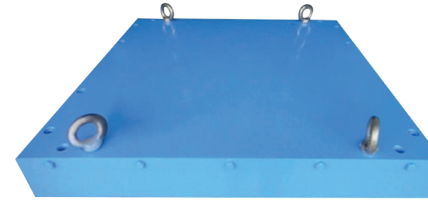
1. Optical and spatial resolution of 3 to 8mm.

2. Can identify the chemical properties of materials in the near-infrared (NIR) wavelength range of 760~2,500 μ m.

3. The high-speed air valve seat can meet the needs of different material sources and can be replaced with different mouthpiece apertures. The valve seat is removable and can be used with different sizes of material sources and belt widths. (Width from 500mm~2,000mm)

磁力板

MAGNETIC PLATE



用途 Usage

用途廣泛，可安裝於輸送帶上方或下方或料斗處，也可用於液體中或其他生產線上去除含鐵雜質。

Wide range of uses install over or under conveyor or hopper, and other production line for dry or wet condition to remove iron-containing impurities

特徵 Features

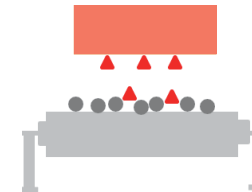
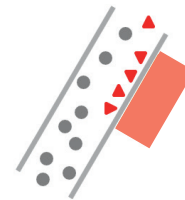
- ① 規格、尺寸、磁力可依客戶需求客製化。
- ② 板體可設計法蘭式固定。
- ③ 本設備由不銹鋼製成，而且機體完全處於密封狀態。因此也可以放入液體中使用。

1. Custom specification, dimensions and magnetic forces available.
2. Custom design for flange and any type of connections available.
3. Complete stainless plate shielding therefore can be used in liquid.

規格 Specification

- ① 材質 SUS304, SUS316。
- ② 可設計耐高溫 300 度。

1. Material: SUS304, SUS316.
2. Heat resistance up to 300 degree.

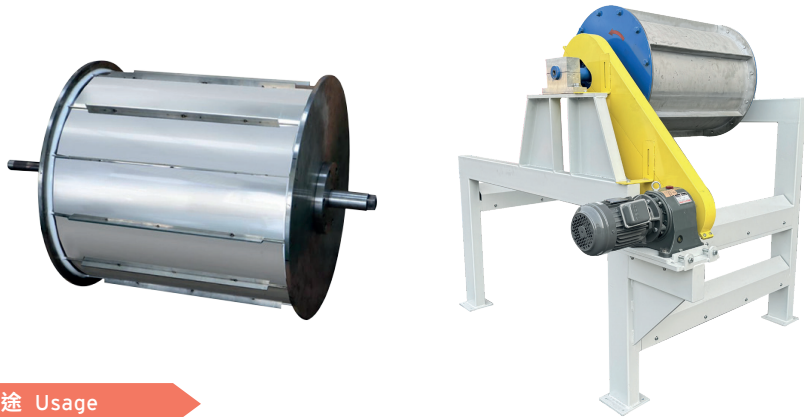


▲ 鐵類
Iron

● 非鐵類原料
Non-Ferrous Material

14

磁鼓 MAGNETIC DRUM



用途 Usage

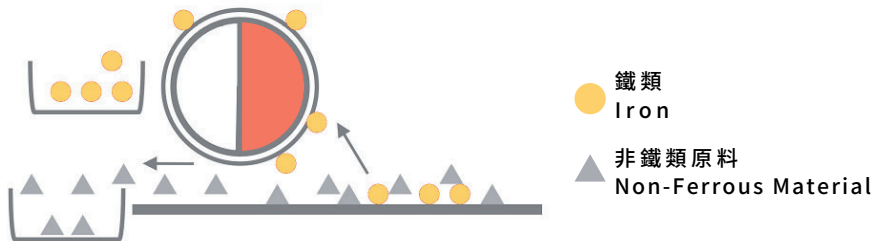
廣泛應用於建築、爐渣、砂石、鋼鐵、煤炭、木材、棧板回收等產業。能有效排除原料中的含鐵物質。

Widely used in construction, slag, sand, steel, coal, wood, pallet recycling and other industries. It can effectively exclude iron-containing substances in raw materials.

特徵 Features

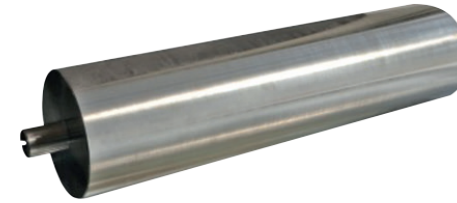
- ① 設備使用的是永久磁鐵，不需任何電源。
- ② 最高磁力可達 8,000 高斯。
- ③ 規格、尺寸、磁力可依客戶需求客製化。
- ④ 能夠連續排放吸附的鐵粉。
- ⑤ 耐熱高達 300 度。

1. No operating energy is required.
2. Highest magnetic force can reach 8,000 Gauss.
3. Custom specification ,dimensions and magnetic forces available.
4. Continuous separation process.
5. Heat resistance up to 300 degrees.



15

磁滾輪 MAGNETIC ROLLER/MAGNETIC PULLEY



用途 Usage

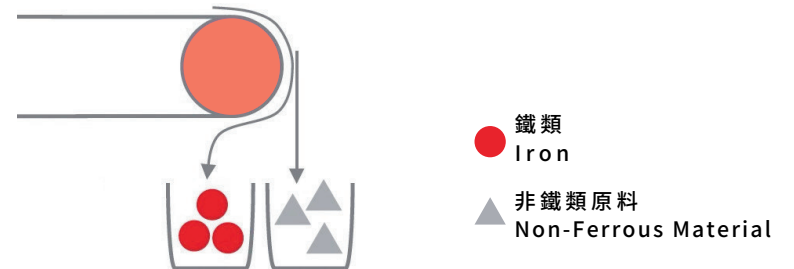
廣泛應用於建築、爐渣、砂石、鋼鐵、煤炭、木材、棧板回收等產業。能有效排除原料中的含鐵物質。

Widely used in construction, slag, sand, steel, coal, wood, pallet recycling and other industries. It can effectively exclude iron-containing substances in raw materials

特徵 Features

- ① 斯本設備使用的是永久磁鐵，不需任何電源。
- ② 磁力可達 16,000 高斯。
- ③ 規格、尺寸、磁力可依客戶需求客製化。
- ④ 能夠連續排放吸附的鐵粉。
- ⑤ 可在高溫環境下使用。

1. No operating energy is required.
2. Highest magnetic force can reach 16,000 Gauss.
3. Custom specification ,dimensions and magnetic forces available.
4. Continuous separation process.
5. Can be used in high temperature environment.



16

磁力棒 TUBE MAGNET



用途 Usage

橡塑膠、PET、食品、化工、肥料、生化、回收、玻璃原料等產業，將原料中含鐵雜質有效吸附去除。

Effectively remove iron-containing impurities in raw materials of industries such as rubber and plastics, PET, food, chemical, fertilizer, biochemical, recycling, and glass raw materials.

特徵 Features

- ① 設備使用的是永久磁鐵，不需任何電源。
- ② 最高磁力可達 8,000 高斯。
- ③ 規格、尺寸、磁力可依客戶需求客製化。
- ④ 能夠連續排放吸附的鐵粉。
- ⑤ 耐熱高達 300 度。

1. No operating energy is required.
2. Highest magnetic force can reach 8,000 Gauss.
3. Custom specification, dimensions and magnetic forces available.
4. Continuous separation process.
5. Heat resistance up to 300 degrees.

規格 Specification

- ① 磁力 3,000 高斯至 13,000 高斯，依客戶需求製作。
- ② 鋼管材質：SUS304，SUS316，管口直徑 $\phi 25.4\text{mm}$ 。
- ③ 管口形狀可做方形或圓形。

1. Magnetic force between 3,000 to 13,000 Gauss according to customer needs.
2. Pipe Material: SUS304, SUS316, tube diameter: $\phi 25.4\text{ mm}$.
3. Tube shape can be made with round-type or square-type.

17

磁力架 GRATE MAGNET



用途 Usage

可以簡單安裝於入料口，出料口或中段送料的管路處，將原料中含鐵雜質有效吸附及去除。

Easy to install on the feed port or discharge port of hopper or middle of the feeder and effectively remove iron-containing impurities in raw materials.

特徵 Features

- ① 本產品採用不銹鋼管，在液體裡也可使用。
- ② 可提供表面磁力高達 13,000 高斯的磁棒。
- ③ 可根據安裝部位製造客製化長度。
- ④ 可以附帶吊環，螺釘孔，把手等設計。
- ⑤ 在磁棒管表面可以進行離子氮化，鎢鋼熔射以及鐵氟龍的加工等。
- ⑥ 可做雙套設計，以便於清掃。
- ⑦ 可根據使用原料調整磁棒間距。

1. It can also be used in liquid.
2. Magnetic Force on bar surface can reach 13,000 Gauss.
3. Custom sizes and designs available.
4. It is also possible to design rings, screw hole, handles, etc.
5. The tube surface can be processed with teflon and nitriding.
6. Double tube design available for easy cleaning.
7. Custom number of tubes and configuration based on the raw material.

規格 Specification

- ① 磁力 3,000 高斯至 13,000 高斯，依客戶需求製作。
- ② 鋼管材質：SUS304，SUS316，管口直徑 $\phi 25.4\text{mm}$ 。
- ③ 可做雙套設計，以便於清掃。

1. Magnetic force between 3,000 to 13,000 Gauss according to customer needs.
2. Pipe Material: SUS304, SUS316, tube diameter: $\phi 25.4\text{ mm}$.
3. Double Tube Design available for easy cleaning.

18

磁棒箱 MAGNETIC BOX



用途 Usage

連接於生產線上，去除原料裡所含的鐵類雜質。

Connected to the production line to remove iron impurities contained in the raw materials.

特徵 Features

- ① 可提供表面磁力高達13,000高斯的磁棒。
- ② 可設計法蘭、金屬箍與生產線連接。
- ③ 在磁棒管表面可以進行離子氮化，鎢鋼熔射以及鐵氟龍的加工等。
- ④ 可以附帶吊環，螺釘孔，把手等設計。

1. Magnetic Force on bar surface can reach 13,000 Gauss
2. Flanges and ferrules can be designed to be connected to the production line.
3. The tube surface can be processed with teflon and nitriding.
4. Fully welded around, providing a high level of cleanliness.

規格 Specification

- ① 磁力3,000高斯至13,000高斯，依客戶需求製作。
- ② 鋼管材質：SUS304，SUS316。
- ③ 可做雙套設計，以便於清掃。

1. Magnetic Force between 3,000 to 13,000 Gauss according to customer needs.
2. Pipe Material: SUS304, SUS316.
3. Double Tube Design available for easy cleaning.

19

管路式過濾器 MAGNETIC STRAINER



用途 Usage

適用於去除液體或漿料中的含鐵雜質。

Applicable to separate ferrous materials from liquid or slurry material.

特徵 Features

- ① 可提供表面磁力高達13,000高斯的磁棒。
- ② 可設計法蘭、金屬箍與生產線連接。
- ③ 在磁棒管表面可以進行離子氮化，鎢鋼熔射以及鐵氟龍的加工等。
- ④ 周圍完全焊接，提供高等級清潔環境。
- ⑤ 可依客戶需求客製化設計。

1. Magnetic Force on bar surface can reach 13,000 Gauss.
2. Flanges and ferrules can be designed to be connected to the production line.
3. The tube surface can be processed with teflon and nitriding.
4. Fully welded around, providing a high level of cleanliness.
5. Custom sizes and designs available.

規格 Specification

- ① 磁力3,000高斯至13,000高斯，依客戶需求製作。
- ② 鋼管材質：SUS304，SUS316。
- ③ 可做雙套設計，以便於清掃。

1. Magnetic Force between 3,000 to 13,000 Gauss according to customer needs.
2. Pipe Material: SUS304, SUS316.
3. Double Tube Design available for easy cleaning.

20

永磁濕式磁選機 WET DRUM MAGNETIC SEPARATOR

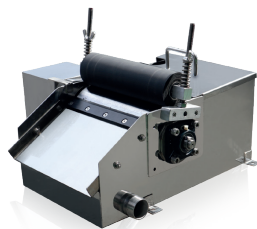
用途 Usage

適用於吸附金屬 CNC 加工、光電產業、半導體產業中切削油裡的鐵性汙泥、並自動排出。

This wet drum magnetic separator applicable to use in attracting iron sludge in cutting oil from metal CNC machining, photovoltaic industry, semiconductor industry and automatically discharge iron sludge.

特徵 Features

- ① 本設備使用的是永久磁鐵，只需馬達電源。
- ② 各類原料之含鐵雜質，可擷取至3%以下的含鐵量。
- ③ 機體由 SUS304、SUS316L 不鏽鋼 SS41 鐵板組成。
- ④ 尺寸、形狀或其他參數可依客戶屬性設計製作。



1. Only motor power is required.
2. The iron-containing impurities of various raw materials can be extracted to less than 3% of iron.
3. The machine body consists of SUS304, SUS316L stainless steel SS41 iron plate.
4. Size, shape or other parameters of wet drum magnetic separator can be customized according to customer needs.

21

永磁刮板式磁選機 SCRAPER-TYPE MAGNETIC SEPARATOR

用途 Usage

適用於分選出食品、化工、醫藥、活性炭、回收塑膠粒及乾粉類原料中的含鐵物質。

Applicable for removing iron-containing impurities from raw materials of food, chemicals, pharmaceuticals, activated carbon, recycled plastic pellets and dry powders.

特徵 Features

- ① 本設備使用的是永久磁鐵，只需馬達電源。
- ② 機體由 SUS304、SUS316L 不鏽鋼 SS41 鐵板組成。
- ③ 尺寸、形狀或其他參數可依客戶屬性設計製作。

1. Only motor power is required.
2. The machine body consists of SUS304, SUS316L stainless steel SS41 iron plat.
3. Size, shape or other parameters can be customized according to customer needs.



22

震動篩分機 VIBRATING SCREENING MACHINE



用途 Usage

- ① 在整個篩面和寬度上進行高效精細篩分，篩分孔徑約為 20 至 300 毫米。
- ② 可篩分所有類型的回收材料，例如生活垃圾、工業垃圾和大型垃圾、包裝材料、生物質、成熟木材、舊輪胎、電子垃圾、屋頂紙、碎紙機材料、建築碎石、混合建築工地垃圾、金屬等。

1. Highly-efficient fine screening over the entire screen surface and width.
2. All types of recycling materials such as, e.g. domestic, industrial and bulky waste, wrappings, biomass, matured timber, old tires, electronic waste, roofing paper, shredder material, building rubble, mixed construction site waste, metal, etc.

特徵 Features

- ① 非常純淨的篩選組分和最高的篩選質量。
- ② 維護成本低且維護方便。
- ③ 尺寸、形狀或其他參數可依客戶屬性設計製作。

1. Very pure screening fractions and the highest screening quality.
2. Low maintenance and maintenance friendly.
3. Size, shape or other parameters can be customized on request.



用途 Usage

- ① 應用於食品、藥品中的鐵金屬、非鐵金屬以及合金雜質的探測，協助眾多食藥製造廠商，在安全檢測製程中得以維繫高水準品管。
 - ② 亦可適用於工業用探測：化工原料、橡膠產品以及紙質產品中的各種金屬碎片。
1. Specially used for the detection of iron, non-ferrous metals and alloy impurities in foods and pharmaceuticals.
 2. Detection of various metal fragments in chemical raw materials, rubber products, and paper products.

特徵 Features

- ① 採用國內外金屬探測設備中所使用的平衡式原理，穩定可靠，性能更佳。
 - ② 定位調節技術，能將進行中的速度調節，有效抑制產品效應。
 - ③ DSP 和單片機體結合對檢測信號進行數據採樣和數據處理，提高檢驗效果。
 - ④ 能檢測鐵、不銹鋼、銅、鋁及其他有色金屬等多種材質。具有記憶功能，探測的範圍擴大。
 - ⑤ 記憶功能可儲存 20 種產品檢測參數。
 - ⑥ 能夠方便調整靈敏度，檢測靈敏度可達到的指標為不鏽鋼 SUS Φ 1.5mm，鐵 Fe 達到 Φ 0.7mm (500mm x 200mm 窗口)。
1. It adopts the balanced principle used in metal detection equipment at home and abroad, which is stable and reliable and has better performance.
 2. Positioning adjustment technology can adjust the ongoing speed and effectively suppress product effects.
 3. DSP and single-chip body are combined to perform data sampling and data processing on the detection signal to improve the inspection effect.
 4. It can detect various materials such as iron, stainless steel, copper, aluminum and other non-ferrous metals. With memory function, the detection range is expanded.
 5. The memory function can store 20 product detection parameters.
 6. The sensitivity can be easily adjusted. The detection sensitivity can reach Φ 1.5mm for stainless steel SUS and Φ 0.7mm for iron Fe (500mm x 200mm window).



用途 Usage

- 篩選原料中小於所設定粒徑的物質。
- Sorting the material in the raw material is smaller than the set particle size.

特徵 Features

- ① 可根據客戶需求特別設計。
 - ② 特殊送料口，輔以螺旋篩網，可有效篩選出小於設定粒徑的物質。
1. Can be specially designed according to customer needs.
 2. The special feeding port, supplemented by a spiral screen, can effectively screen out substances smaller than the set particle size.



用途 Usage

磁環利用磁力的引力原理，在不須齒輪咬合的非接觸狀態下傳動。主要用於液晶顯示器、太陽能、觸摸屏幕、輸送機(低扭力)、真空腔體轉傳機構。

Non-Contact Magnetic Transmission Drives is driven by non-contact mode. Mainly used for LCD Panel, solar, touch panel, conveyor (low torque), vacuum chamber transfer mechanism.

特徵 Features

- ① 無噪音。
- ② 無磨損，傳動順暢且平穩。
- ③ 無須保養：不用因無磨耗問題而更換零件。
- ④ 無粉塵：在非接觸狀態下，除了無齒輪的油汙、震動及噪音，也不會因摩擦而產生粉塵，造成製程上的困擾。

1. Ultra quiet operation.
2. No wear, steady and smooth drive.
3. No maintenance required: No need to replace parts from wear problems.
4. Ultra-low particle generation: In the non-contact state, there is no oil stain, vibration and noise from the gear and it will not generate dust due to friction.

■ 磁齒輪配置示例 Gear Configuration Example



垂直型 Perpendicular Type

磁齒相互以90度排列的狀態傳導磁力
Force is transmitted with gears arranged at 90°



平行型 Parallel Type

磁齒相互以平行排列的狀態傳導磁力
Force is transmitted with gears arranged in parallel

■ ND型：釹燒結磁鐵 ND Type : Sintered Magnet



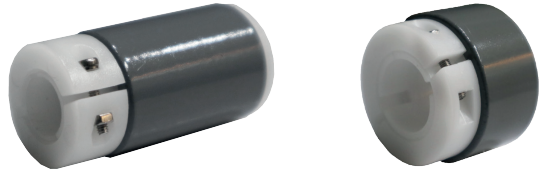
類型 Type	組合類別 Combined Type	材質 Material		表面處理 Surface Treatment	
		磁鐵部分 Magnet Section	支撐部分 Holder Section	磁鐵部分 Magnet Section	支撐座部分 Holder Section
ND 型 ND Type	NDL	垂直型 Perpendicular Type	釹燒結磁鐵 Sintered Magnet	A5056 Aluminum Alloy	防溢氣處理 Out-gassing Prevention Treatment
	NDU	平行型 Parallel Type			—

* 最高轉速 1,500rpm

■ ND系列 ND Series

型號 Model	外徑 Outer Diameter Ø D	軸心 Ø d Axial	磁鐵高度 Magnet Height h (mm)	磁極數 No. of Poles (P)
ND21	21	10	25	6
			30	
ND26	26	12	14.1	20
		15		
ND35	35	15	15	8
			21.5	
			15	
ND42	42	15	21	12
		20		
		21.5		

■ MQ型：釹黏結磁鐵 MQ Type: Neodymium Bonded Magnet



類型 Type	組合類別 Combined Type	材質 Material		表面處理 Surface Treatment	
		磁鐵部分 Magnet Section	支撐部分 Holder Section	磁鐵部分 Magnet Section	支撐座部分 Holder Section
MQ 型 MQ Type	MQL	垂直型 Perpendicular Type	釹黏結磁鐵 Neodymium Bonded Magnet	工程塑膠 (POM) Polyacetal (D16:5056 Aluminum Alloy)	電鍍塗裝 Electrostatic Paint
	MQU	平行型 Parallel Type			

* 最高轉速 1,500rpm

■ MQ系列 MQ Series

型號 Model	外徑 Outer Diameter Ø D	軸心 Ø d Axial	磁鐵高度 Magnet Height h (mm)	磁極數 No. of Poles (P)
MQ21	21	10	15	6
			20	
			30	
MQ26	26	15	14	8
MQ35	32	15	20	8
		20		
	25	15	21.5	8
		20		
MQ42	42	15	21	12
		20		

26

針筒式磁力棒 HAND-HELD MAGNETIC STICK

用途 Usage

簡單的吸附散落一地的鐵片、螺絲或細縫處等雙手不易處理之鐵屑或可磁化之物質。

Easily attract small parts, screws, nails, or iron filings or magnetizable materials that are difficult to pick up by hands.

特徵 Features

- ① 可依客戶需求設計。
- ② 磁棒材質為 SUS304。
- ③ 輕巧方便，利於清除鐵屑。

1. Custom design available.
2. Durable SUS304 material.
3. Light weight and easily discharge iron filings.



27

磁鐵車 MAGNETIC SWEEPER

用途 Usage

用於工廠、工地等地方，快速省力連續回收散亂的鐵片、鐵粉等磁化之物質。

Used in factories and construction sites, saving labor and quickly pick up iron and power or magnetizable materials with strong magnetic force.

特徵 Features

- ① 本產品是永久磁鐵，不需任何電源。
- ② 車身為 SUS304 不鏽鋼結構。
- ③ 可依客戶需求設計。

1. No operating energy is required.
2. Material SUS304 Stainless Steel.
3. Custom design available.




用途 Usage

- ① 機械零件加工後，殘留磁氣測定。
- ② 磁性應用製品，磁場強度測定。
- ③ 不銹鋼材料加工應力後，殘留磁氣之測定。
- ④ 磁性材料之磁力測定。
- ⑤ 各種鋼材自然帶磁之測定。
- ⑥ 大小家電產品，馬達磁場強度測定。
- ⑦ 永久磁鐵磁場強度測定。

1. After the mechanical parts are processed, the residual magnetic gas can be measured.
2. Magnetic applications, magnetic field strength measurement.
3. Determination of residual magnetic gas after processing stress of stainless steel material.
4. Magnetic measurement of magnetic materials.
5. Various steels are measured with magnetic properties.
6. Home appliances, motor magnetic field strength measurement.
7. Permanent magnet magnetic field strength measurement.


台灣 Taiwan
年弘磁電工業股份有限公司

- 64069 雲林縣斗六市斗六工業區民有街30號
 No. 30, Mingyou St., Douliu City, Yunlin Country, 64069, Taiwan.
 ☎ +886-5-557-1169
 ☎ +886-5-557-1759
 ✉ sales@nianhung.com

中國 China
上海年弘磁業股份有限公司

- 上海市金山區呂巷鎮朱呂公路 6301 號
 No. 6301, Zhulv Gong Road, Lvxian Town, Jinshan District, Shanghai City, China
 ☎ +86-21-5737-0066
 ☎ +86-21-5737-0055
 ✉ helimei@shnianhung.com

馬來西亞 Malaysia
Top Magnet Technology Sdn Bhd

- 33C-3-2, 3rd Floor, Villa Puteri Condo, Lot 70, Jalan Tun Ismail,
 50480 Kuala Lumpur, Wilayah Persekutuan, Malaysia.
 ☎ +6019-263-3169
 ✉ suhan.wang@nianhung.com